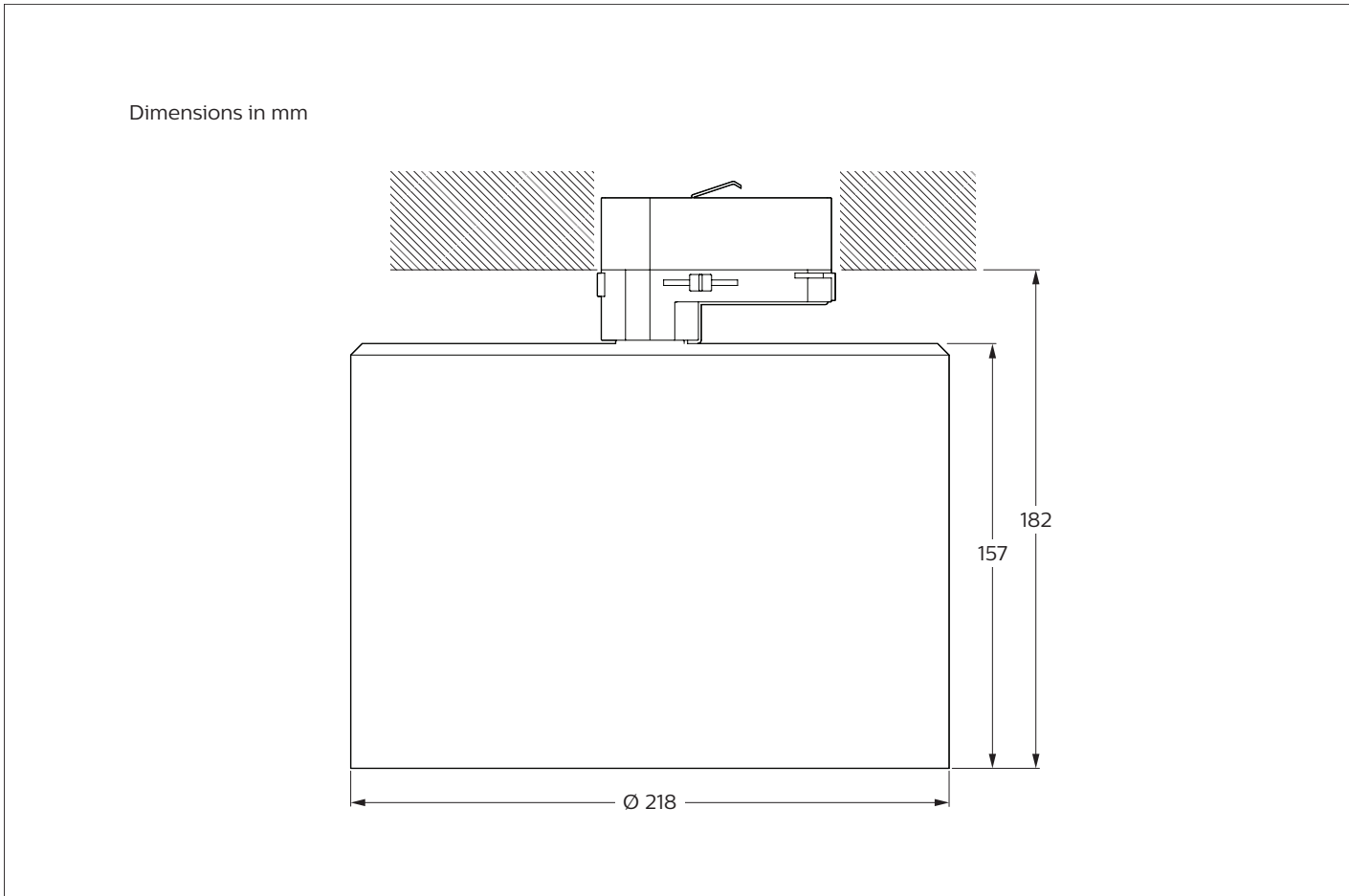




DN470T LED20S	Mounting	Lumen (Lm)	CCT (K)	Power (W)	Driver	UGR	Through-wiring	kg
	Track-mounted (T)	2000	830/840	19	PSU/PSD	22	N/A	1.3





- The luminaire shall be installed by a qualified electrician and wired in accordance with the latest IEE electrical regulations or the national requirements.
- This luminaire is not suitable for use as emergency lighting.
- The light source of this luminaire is not replaceable; when the light source reaches its end of life the whole luminaire shall be replaced.
- Clean with dry cloth.



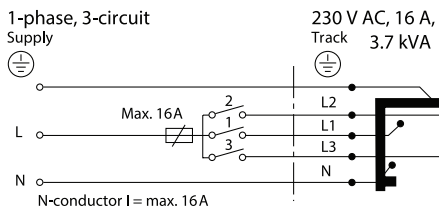
**ATTENTION**  
OBSERVE PRECAUTIONS  
FOR HANDLING  
ELECTROSTATIC  
SENSITIVE  
DEVICES



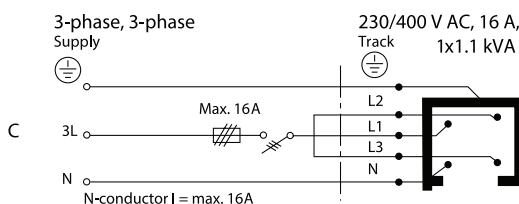
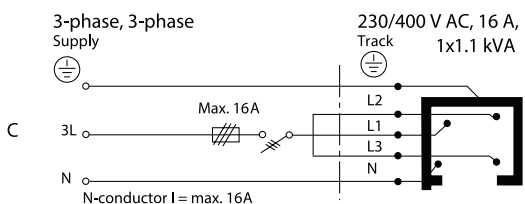
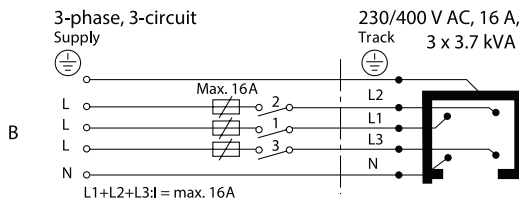
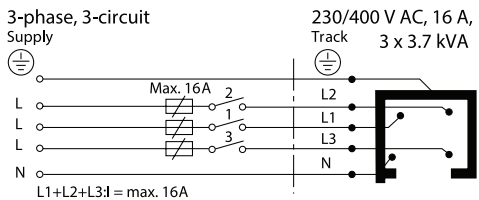
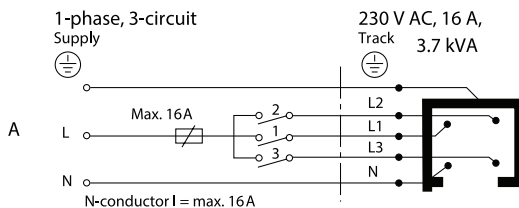
# Track-mounted (T)

## GLOBAL Trac connecting diagrams

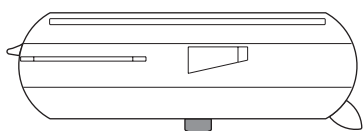
### GLOBAL Trac Pro none dimming



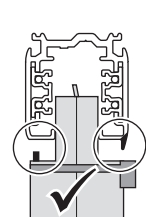
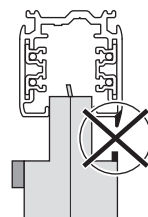
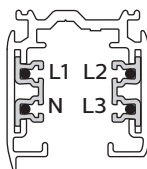
### GLOBAL Trac Pulse control DALI dimming



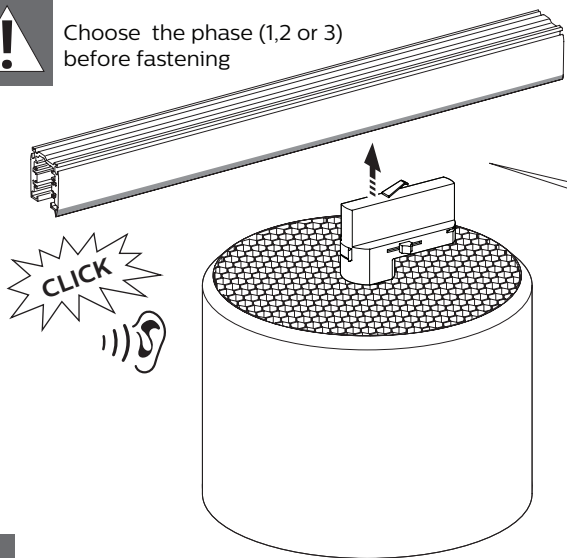
1



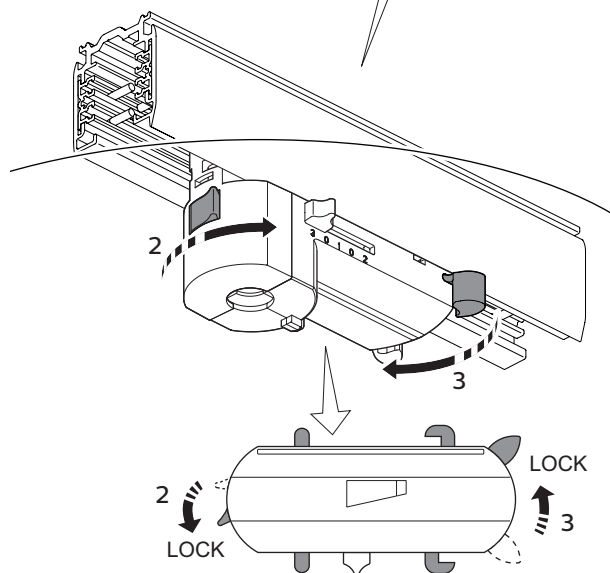
3-0-1-0-2



Choose the phase (1,2 or 3) before fastening



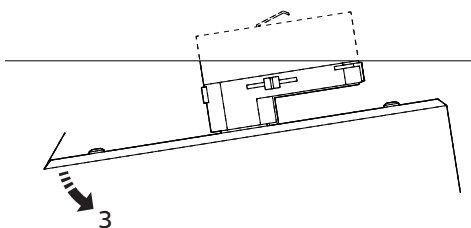
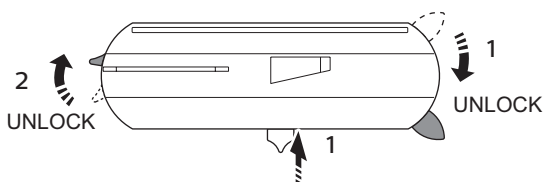
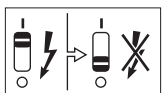
2



### Unlock



Never shift the luminaire while light is on.



3