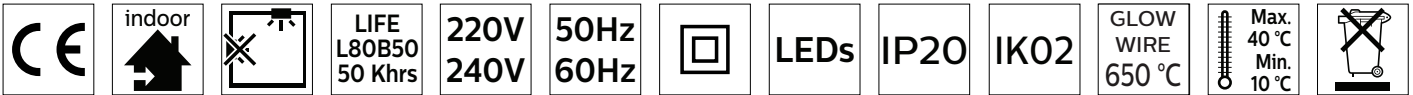
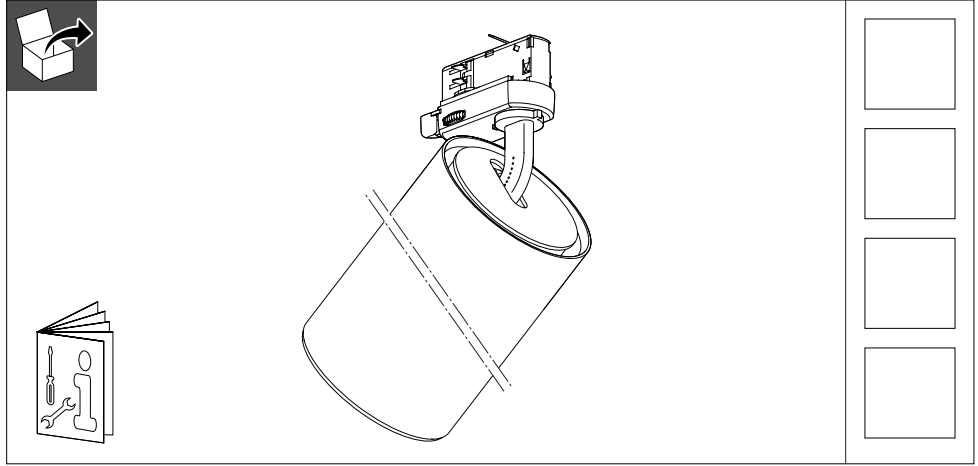


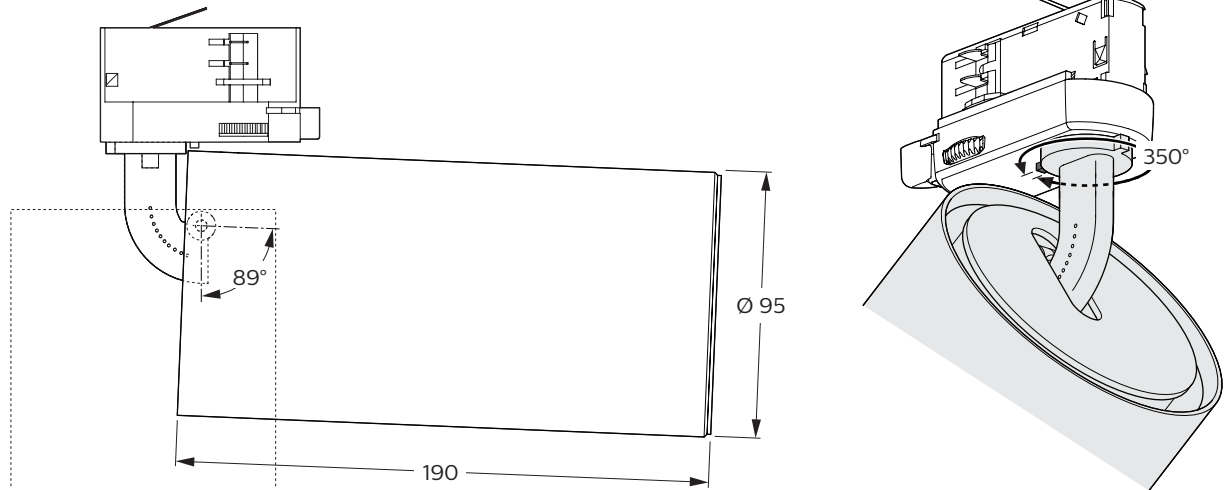
PHILIPS

TC MS Series

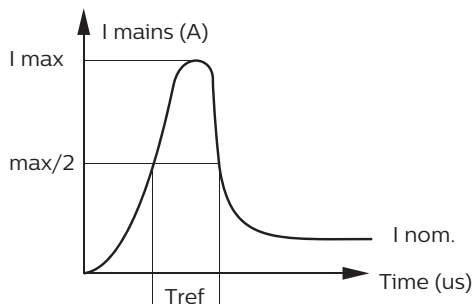


| | CCT (K) | Lumen (lm) | Driver | P (W) | | |
|--------------------|-------------|------------|---------|-------|--------------|------|
| TC MS T LED27S/840 | 4000 CRI80+ | 2700 | | | NB/MB/WB/VWB | 0.64 |
| TC MS T LED26S/830 | 3000 CRI80+ | 2600 | | 24 | | |
| TC MS T LED25S/827 | 2700 CRI80+ | 2500 | | | | |
| TC MS T LED23S/940 | 4000 CRI90+ | 2300 | PSU/PSD | 23 | | |
| TC MS T LED21S/930 | 3000 CRI90+ | 2100 | | | | |
| TC MS T LED16S/CRW | CrispWhite | 1600 | | 18.5 | MB | |
| TC MS T LED13S/CRW | CrispWhite | 1300 | | | NB | |

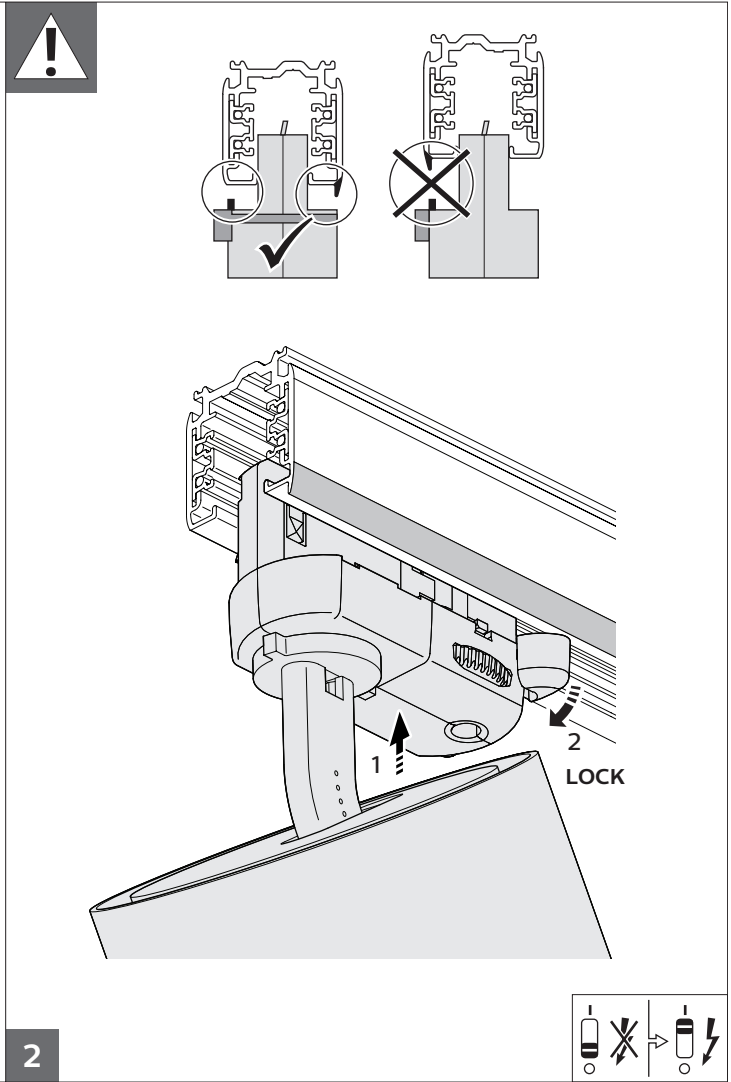
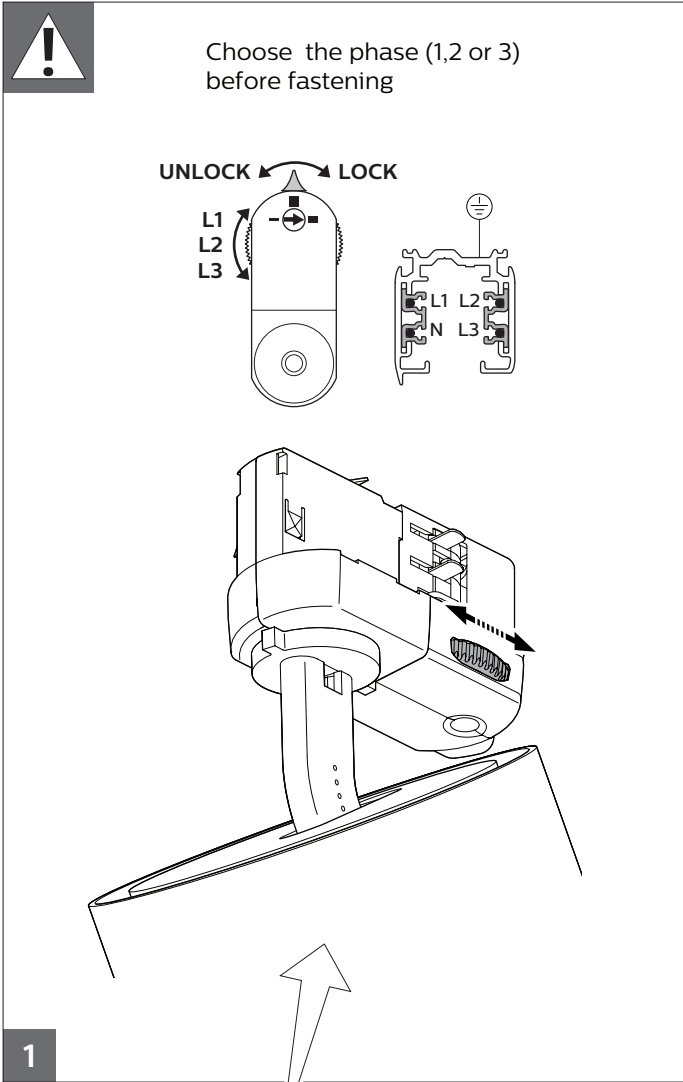
Projector track-mounted



Inrush current



| | 20 W/m | 36 W/m |
|----------------------------|----------------|--------|
| Electrical characteristics | | |
| I _{max} (A) | 18 | 18 |
| T _{ref} (μs) | 250 | 250 |
| MCB | Luminaire max. | |
| B-10 A | 21 | 21 |
| B-13 A | 27 | 27 |
| B-16 A | 34 | 34 |
| C-10 A | 35 | 35 |
| C-13 A | 45 | 45 |
| C-16 A | 57 | 57 |



Track version assemble

GLOBAL Trac connecting diagrams.

This product is designed for GLOBAL Trac. Please contact relevant product specialist for compatibility with other track types.

A GLOBAL Trac Pro PSU GA69 230V, 6A
 1-phase, 3-circuit Supply 230 V AC, 16 A, Track 3.7 kVA

B 3-phase, 3-circuit
 Supply 230/400 V AC, 16 A, Track 3 x 3.7 kVA

C 3-phase, 3-phase
 Supply 230/400 V AC, 16 A, Track 1x1.1 kVA

Track version disassemble

Never shift the luminaire while light is on.

- The luminaire shall be installed by a qualified electrician and wired in accordance with the latest IEE electrical regulations or the national requirements.
- This luminaire is not suitable for use as emergency lighting.
- Clean with dry cloth.
- The light source of this luminaire is not replaceable; when the light source reaches its end of life the whole luminaire shall be replaced.

ATTENTION
 OBSERVE PRECAUTIONS FOR HANDLING ELECTROSTATIC SENSITIVE DEVICES