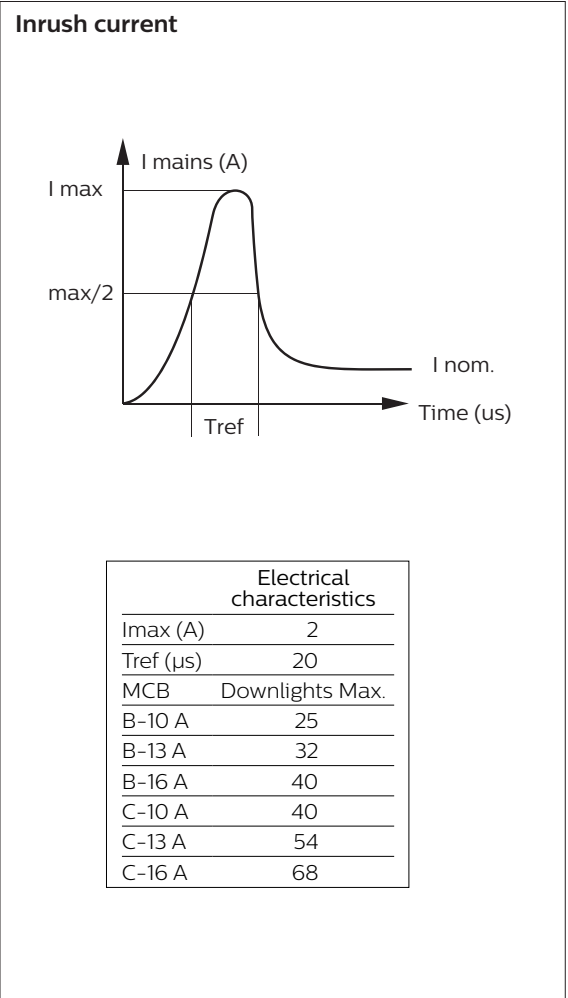
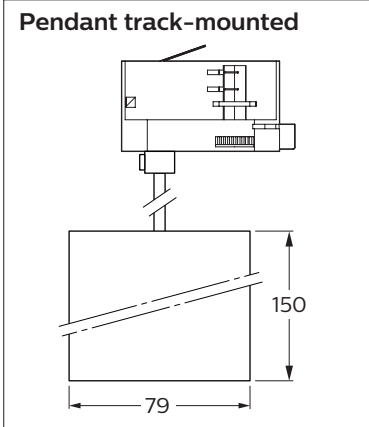
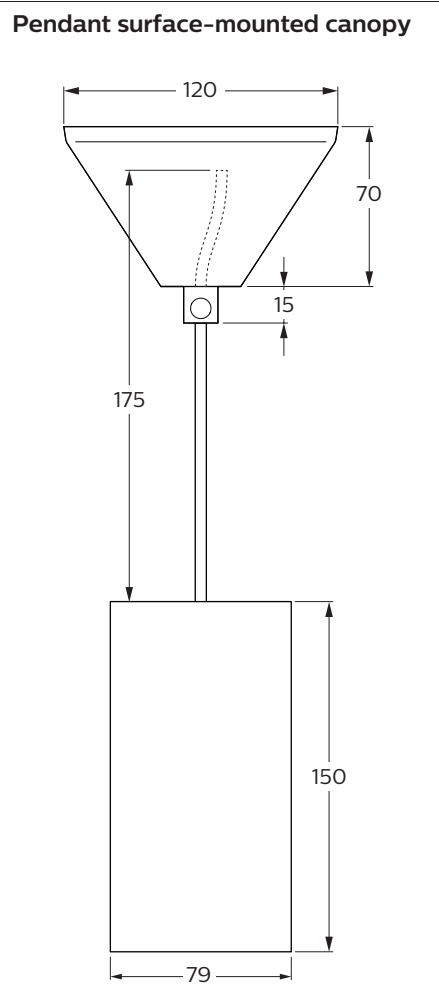
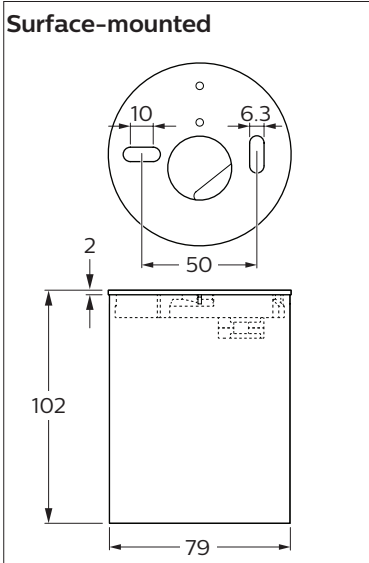
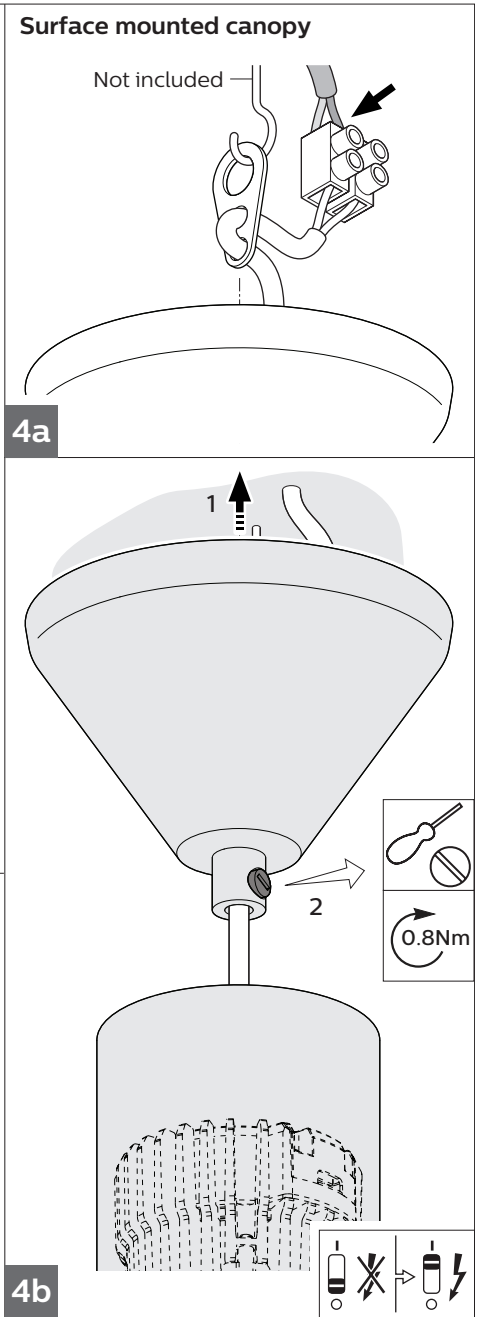
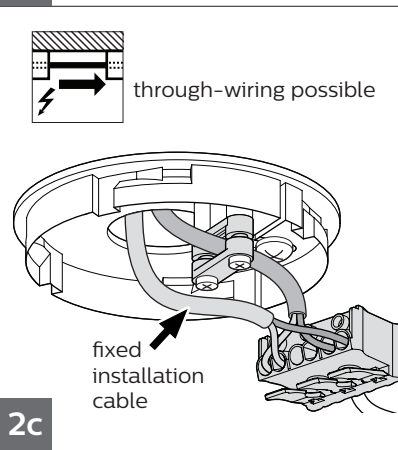
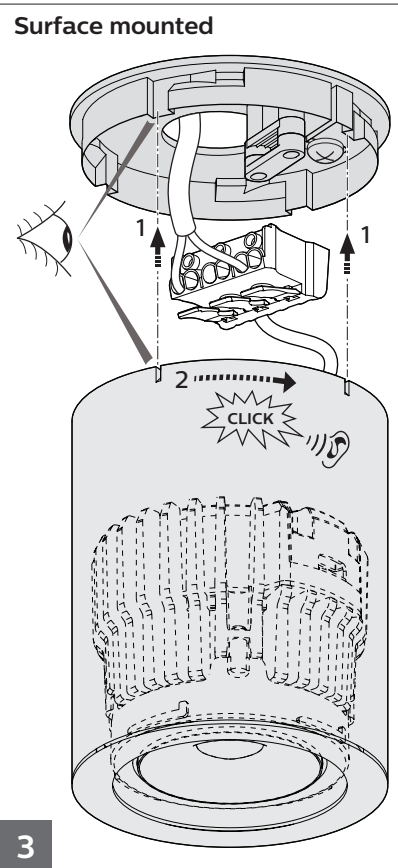
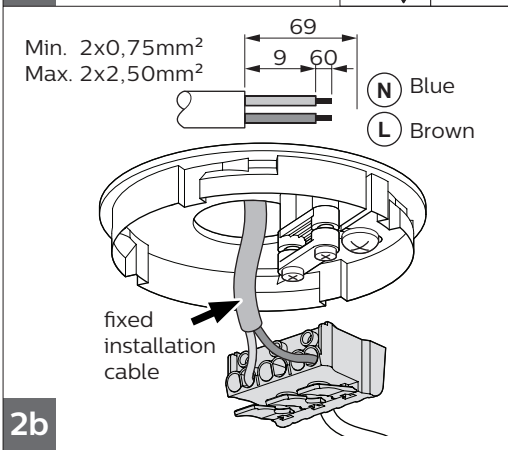
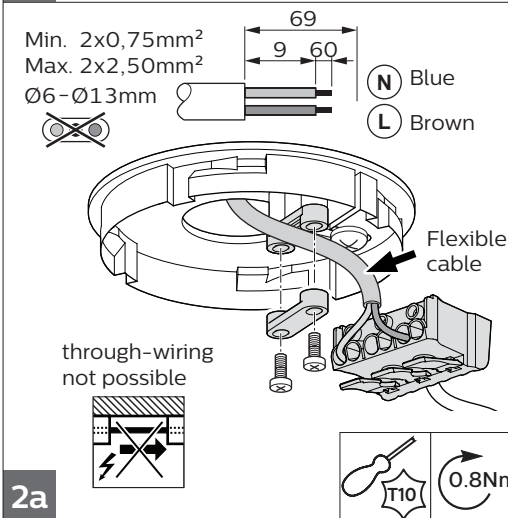
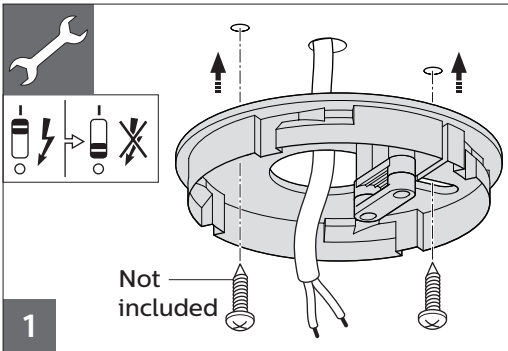


	Mounting	CCT (K)	Lumen (lm)	P (W)	Through-wiring	kg
TC SC S LED6 - 32 - /8xx PSR xx	Surface-mounted				•	0.32
TC SC PT LED6 - 32 - /8xx PSR xx	Pendant track-mounted	827/830/840	650	8	-	0.50
TC SC PS LED6 - 32 - /8xx PSR xx	Pendant surface-mounted canopy				-	0.50
TC SC S LED9 - 32 - /8xx PSR xx	Surface-mounted				•	0.32
TC SC PT LED9 - 32 - /8xx PSR xx	Pendant track-mounted	830/840	900	11	-	0.50
TC SC PS LED9 - 32 - /8xx PSR xx	Pendant surface-mounted canopy				-	0.50





Track version assemble

GLOBAL Trac connecting diagrams.

This product is designed for GLOBAL Trac. Please contact relevant product specialist for compatibility with other track types.

A GLOBAL Trac Pro PSU GA69 230V, 6A

1-phase, 3-circuit Supply

230 V AC, 16 A, Track 3,7 kVA

Max. 16A

L2
L1
L3
N

N-conductor I = max. 16A

B 3-phase, 3-circuit Supply

230/400 V AC, 16 A, Track 3 x 3,7 kVA

Max. 16A

L2
L1
L3
N

L1+L2+L3: I = max. 16A

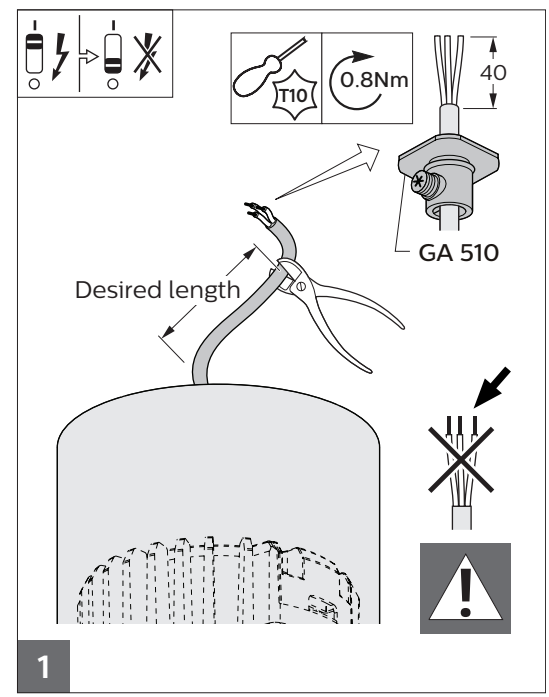
C 3-phase, 3-phase Supply

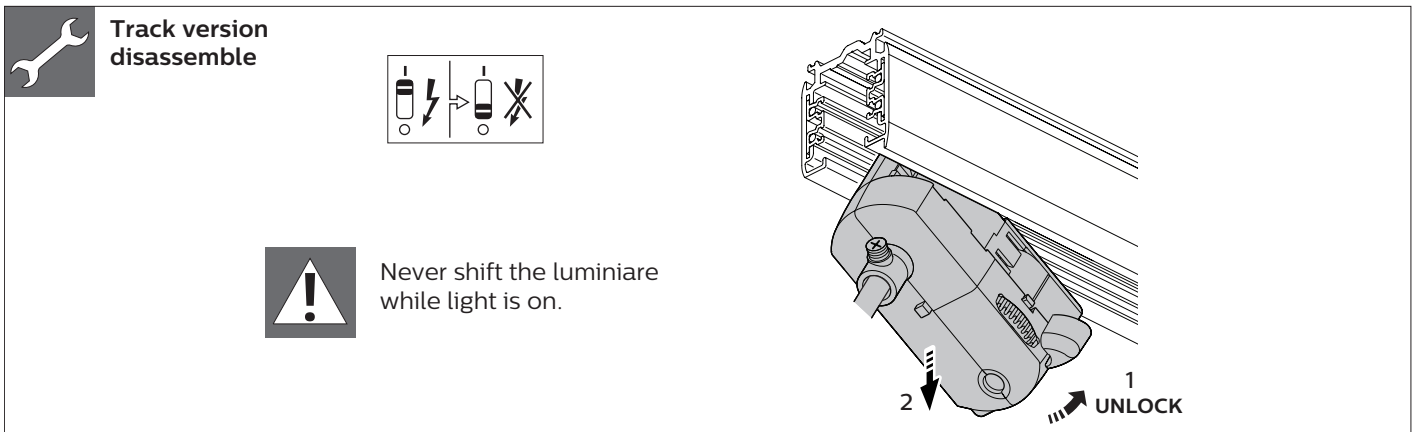
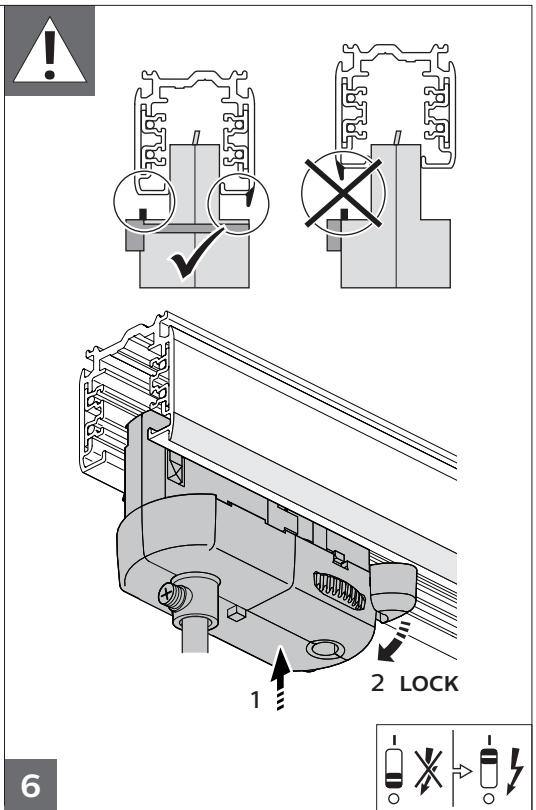
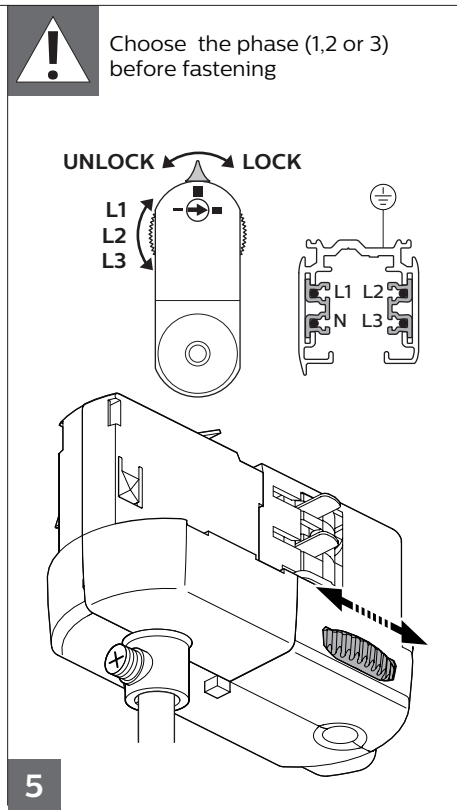
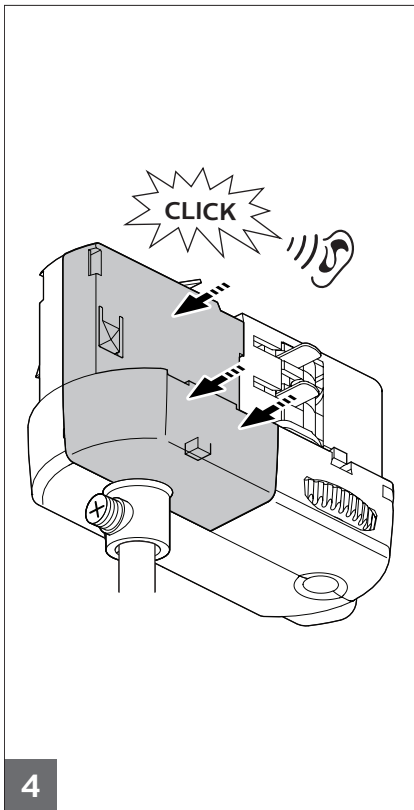
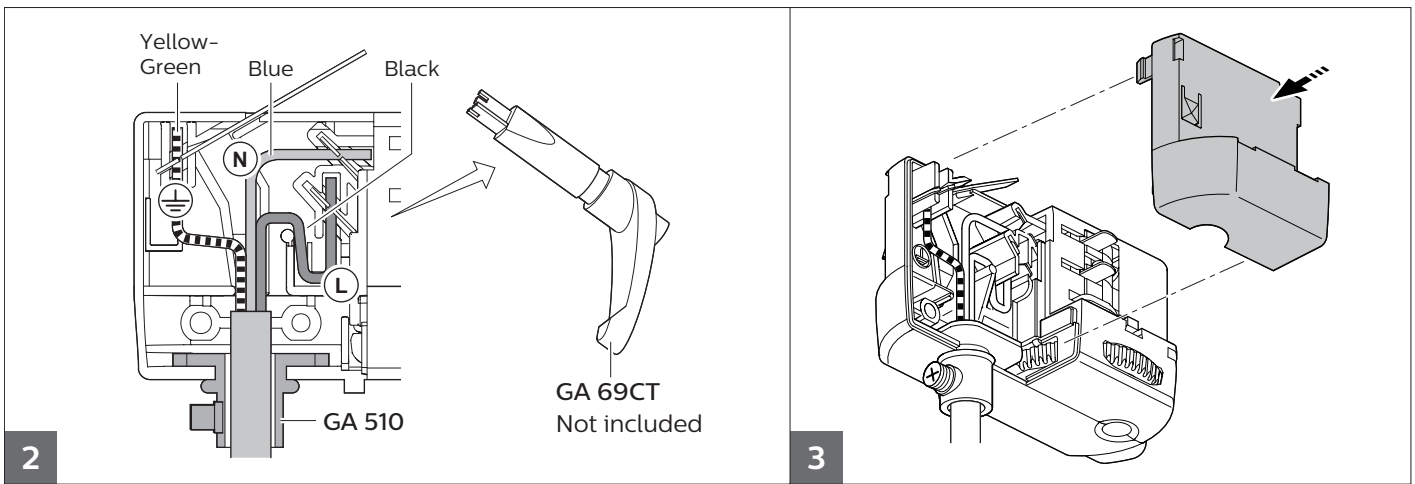
230/400 V AC, 16 A, Track 1x1,1 kVA

Max. 16A

L2
L1
L3
N

N-conductor I = max. 16A





- The light source contained in this luminaire shall only be replaced by the manufacturer or its service agent or a similar qualified person.
- The luminaire shall be installed by a qualified electrician and wired in accordance with the latest IEE electrical regulations or the national requirements.
- This luminaire is not suitable for use as emergency lighting.
- Clean with dry cloth.
- For complete and updated list of advised dimmers, please check the CoreLine Recessed Spot RS140 page on the Philips Lighting eCatalog: <http://www.ecat/lighting.philips.com>

ATTENTION
OBSERVE PRECAUTIONS
FOR HANDLING
ELECTROSTATIC
SENSITIVE
DEVICES



© 2018 Philips Lighting Holding B.V.

All rights reserved. Reproduction in whole or in part is prohibited without the prior written consent of the copyright owner. The information presented in this document does not form part of any quotation or contract, is believed to be accurate and reliable and may be changed without notice. No liability will be accepted by the publisher for any consequence of its use. Publication thereof does not convey nor imply any license under patent- or other industrial or intellectual property rights.

Philips Lighting Holding B.V.
The Netherlands