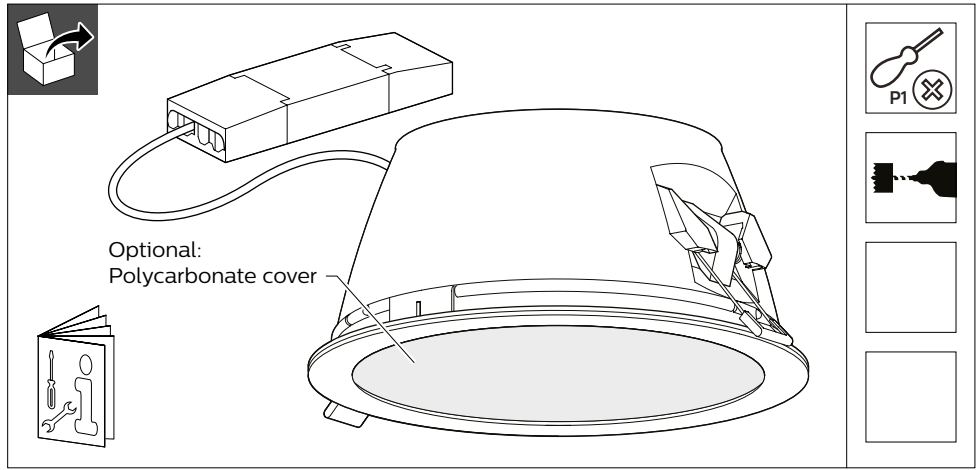


PHILIPS

TC TT Downlight Series

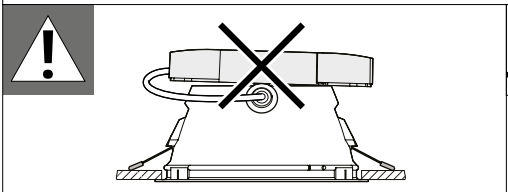
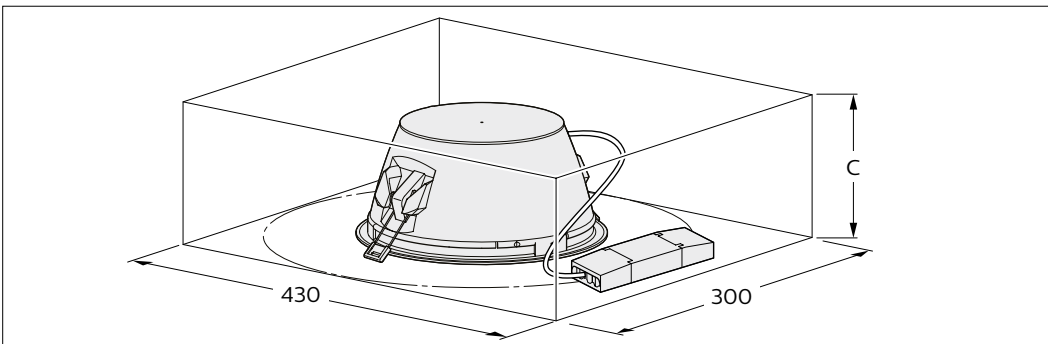
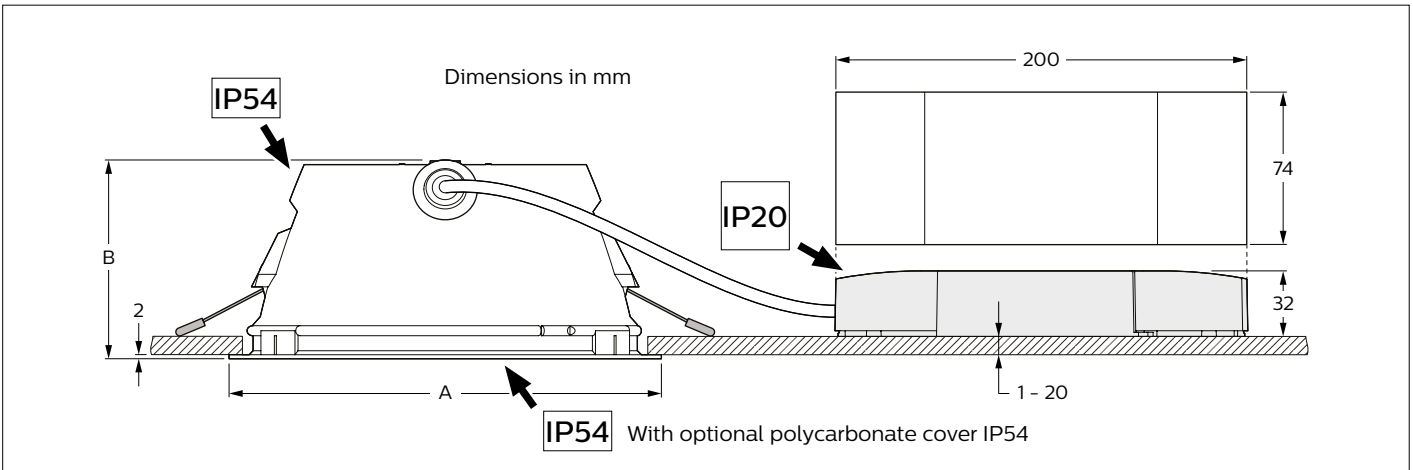
TT150, TT175,
TT200, TT225



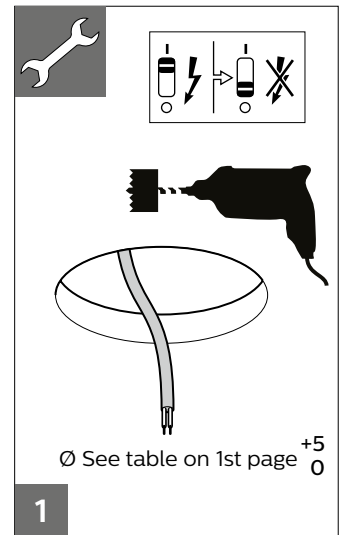
Optional:
Polycarbonate cover

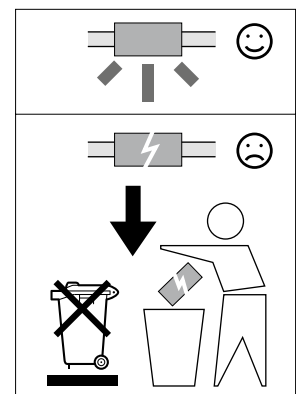
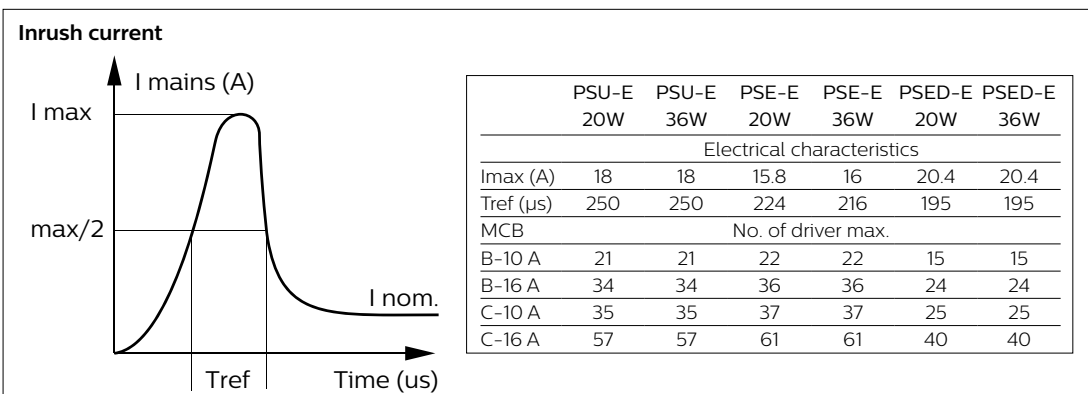
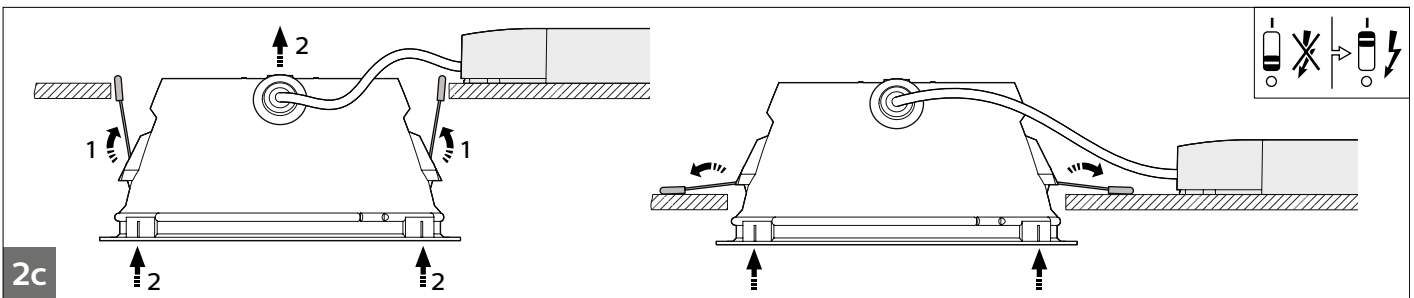
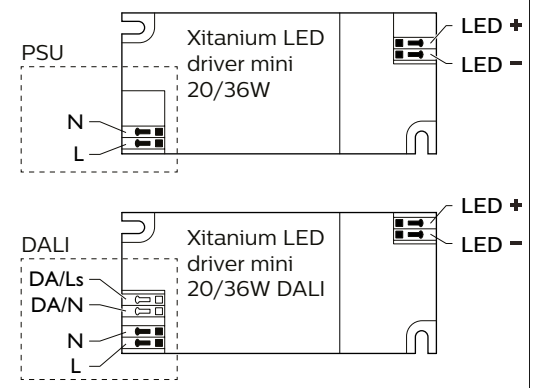
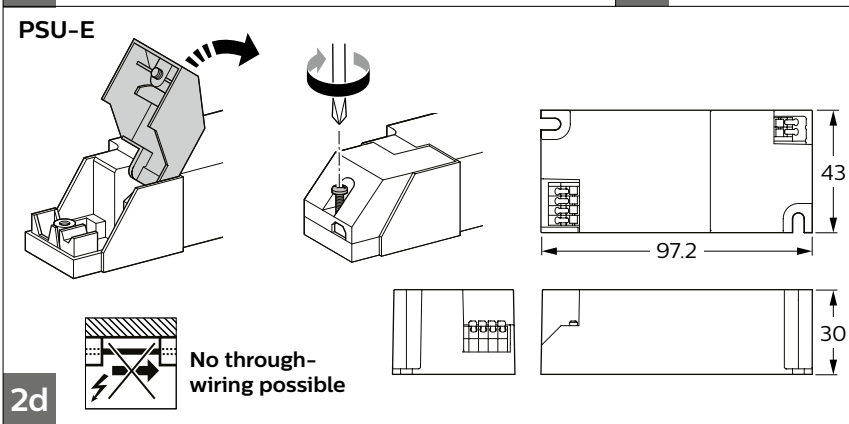
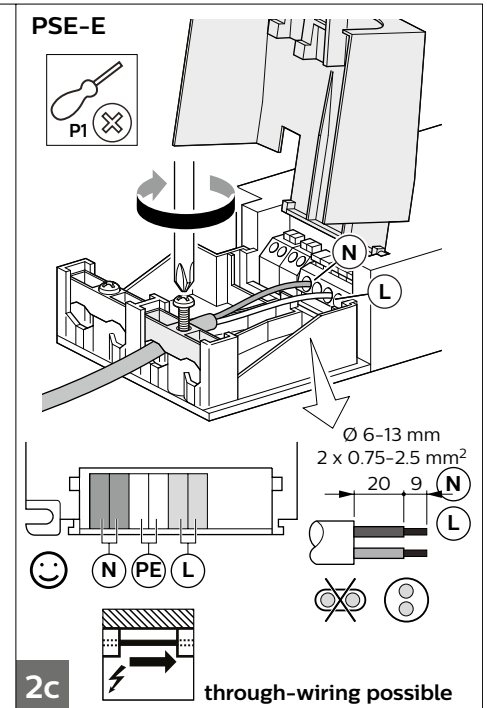
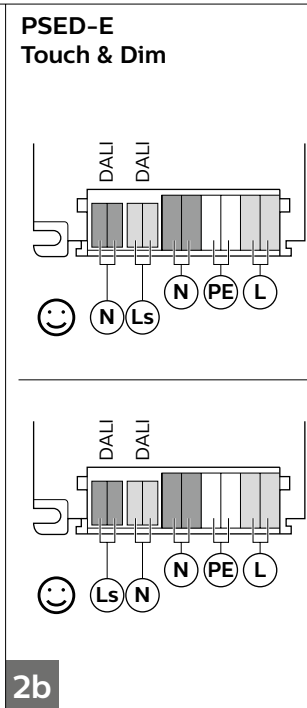
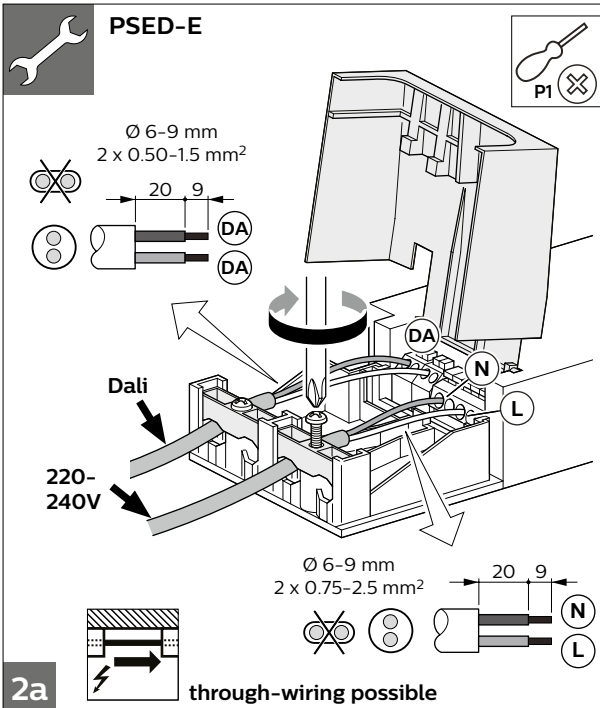


	Lumen (Lm)	CCT (K)	P(W)	UGR	A	B	C	Ø mm	kg
TT150	1100		10.5	19/22	166	77		150	0.555
TT175		830/840			191		150		
TT200	2000		19.5		216			175	0.620
TT225	2000 3000		32.0	22	241	94	200	225	0.950



The luminaire shall, under no circumstance, be covered with thermal insulation matting or similar material.





- The luminaire shall be installed by a qualified electrician and wired in accordance with the latest IEElectrical regulations or the national requirements.
- Only to be installed outside arms reach as recessed ceiling luminaire.
- The light source of this luminaire is not replaceable; when the light source reaches its end of life the whole luminaire shall be replaced.

